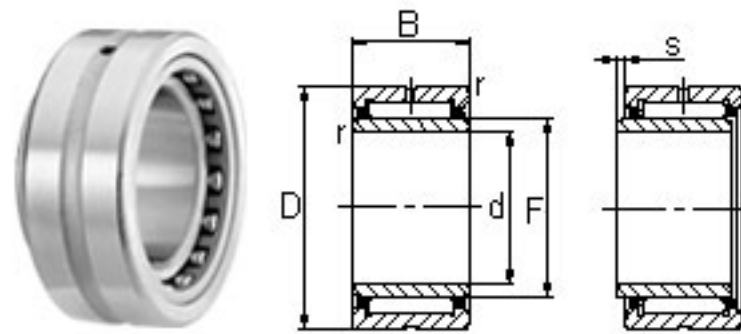


# Needle Roller Bearings

Shaft dia. 9-22

With Ribs  
-With Inner Ring



NKI

NKI

Shaft dia.	Series					Dimensions mm						Basic load ratings		Limited speed
	NKI	NKIS	NA 49	NA 69	OTHERS (1)	d	F	D	B	r min	S	Dynamic C kgf	Static Co kgf	Oil rpm(2)
9	NKI 9/12					9	12	19	12	0.3	1.5	640	690	26000
	NKI 9/16					9	12	19	16	0.3	2	880	1040	26000
10			NA 4900			10	14	22	13	0.3	0.5	960	1050	24000
	NKI 10/16					10	14	22	16	0.3	0.5	1130	1290	24000
	NKI 10/20					10	14	22	20	0.3	0.5	1430	1750	24000
12			NA 4901			12	16	24	13	0.3	0.5	1000	1160	23000
	NKI 12/16					12	16	24	16	0.3	0.5	1250	1540	23000
	NKI 12/20					12	16	24	20	0.3	0.5	1580	2080	23000
				NA 6901		12	16	24	22	0.3	1	1560	2040	23000
15	NKI 15/16					15	19	27	16	0.3	0.5	1420	1910	21000
	NKI 15/20					15	19	27	20	0.3	0.5	1790	2580	21000
			NA 4902			15	20	28	13	0.3	0.5	1130	1440	20000
				NA 6902		15	20	28	23	0.3	1	1750	2540	20000
					NKI 15X33X12	15	20	33	12	0.3	1	1280	1490	20000
17	NKI 17/16					17	21	29	16	0.3	0.5	1460	2040	19000
	NKI 17/20					17	21	29	20	0.3	0.5	1840	2760	19000
			NA 4903			17	22	30	13	0.3	0.5	1220	1630	18000
				NA 6903		17	22	30	23	0.3	0.5	1890	2870	18000
		NKIS 17				17	24	37	20	0.6	1	2640	3300	17000
20	NKI 20/16					20	24	32	16	0.3	0.5	1550	2300	17000
	NKI 20/20					20	24	32	20	0.3	0.5	1960	3110	17000
			NA 4904			20	25	37	17	0.3	0.8	2210	2670	16000
				NA 6904		20	25	37	30	0.3	1	3470	4780	16000
		NKIS 20				20	28	42	20	0.6	0.5	2970	3730	14000
22	NKI 22/16					22	26	34	16	0.3	0.5	1630	2550	15000
	NKI 22/20					22	26	34	20	0.3	0.5	2070	3450	15000
			NA 49/22			22	28	39	17	0.3	0.8	2270	3090	15000
				NA 69/22		22	28	39	30	0.3	0.5	3380	5180	14000

(1) Other than the series shown above, custom-made orders are available according to the series number NKI dr x D x B

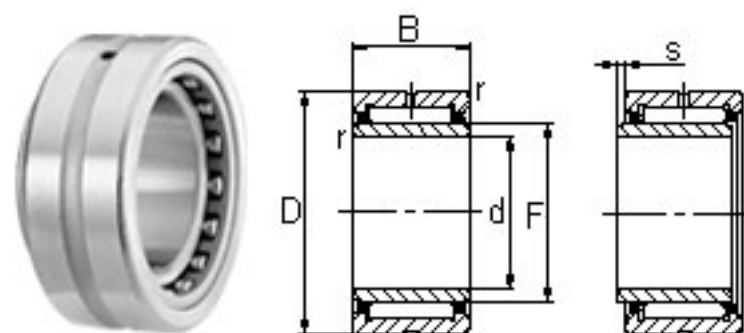
(2) With grease lubrication, 60% of the values given in the tables are permissible

(3) NKI 38x68x46= NK 45x68x40+ IR 38x45x46

# Needle Roller Bearings

With Ribs  
-With Inner Ring

Shaft dia, 25-38



NKI

NKI

Shaft dia.	Series					Dimensions mm						Basic load ratings		Limited speed
	NKI	NKIS	NA 49	NA 69	OTHERS (1)	d	F	D	B	r <sub>min</sub>	S	Dynamic C kgf	Static Co kgf	Oil rpm(2)
25					NKI 25X38X15	25	29	38	15	0.3	1	1700	2800	14000
	NKI 25/20					25	29	38	20	0.3	1	2150	3790	14000
	NKI 25/30					25	29	38	30	0.3	1.5	3080	6030	14000
			NA 4905			25	30	42	17	0.3	0.8	2510	3310	13000
				NA 6905		25	30	42	30	0.3	1	3740	5550	13000
	NKIS 25				25	32	47	22	0.6	1	3680	4750	13000	
28	NKI 28/20					28	32	42	20	0.3	1	2510	4150	13000
	NKI 28/30					28	32	42	30	0.3	1.5	3600	6580	13000
			NA 49/28			28	32	45	17	0.3	0.8	2610	3530	13000
				NA 69/28		28	32	45	30	0.3	1	3910	5920	13000
30	NKI 30/20					30	35	45	20	0.3	0.5	2540	4370	11000
	NKI 30/20					30	35	45	30	0.3	1	3630	6930	11000
			NA 4906			30	35	47	17	0.3	0.8	2680	3770	11000
				NA 6906		30	35	47	30	0.3	1	4172	6640	11000
		NKIS 30				30	37	52	22	0.6	1	4140	5800	11000
32	NKI 32/20					32	37	47	20	0.3	0.5	2620	4580	11000
	NKI 32/30					32	37	47	30	0.3	1	3750	7270	11000
			NA 49/32			32	40	52	20	0.6	0.8	3130	4780	10000
				NA 69/32		32	40	52	36	0.6	0.5	5370	9550	10000
35	NKI 35/20					35	40	50	20	0.3	0.5	2700	4980	10000
	NKI 35/30					35	40	50	30	0.3	1	3870	7920	10000
			NA 4907			35	42	55	20	0.6	0.8	3180	5020	9500
				NA 6907		35	42	55	36	0.6	0.5	5270	9600	9500
		NKIS 35				35	43	58	22	0.6	0.5	4200	6150	9500
38	NKI 38/20					38	43	53	20	0.3	0.5	2780	5200	9500
	NKI 38/30				(3)	38	43	53	30	0.3	1	4090	8570	9500
					NKI 38X68X46	38	45	68	40	0.3	1	9740	13400	9000

(1) Other than the series shown above, custom-made orders are available according to the series number NKI dr x D x B

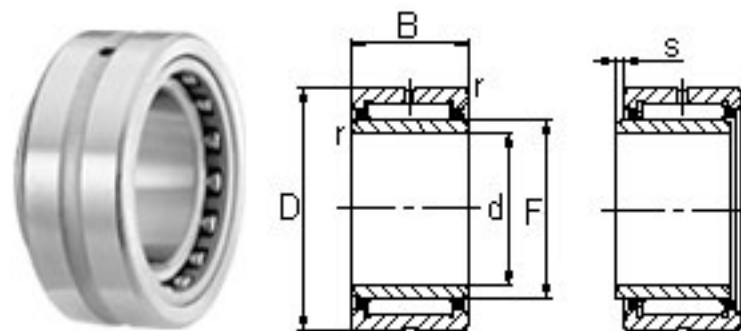
(2) With grease lubrication, 60% of the values given in the tables are permissible

(3) NKI 38x68x46= NK 45x68x40+ IR 38x45x46



# Needle Roller Bearings

With Ribs  
-With Inner Ring



Shaft dia, 40-60

NKI

NKI

Shaft dia.	Series					Dimensions mm						Basic load ratings		Limited speed
	NKI	NKIS	NA 49	NA 69	OTHERS (1)	d	F	D	B	r min	S	Dynamic C kgf	Static Co kgf	Oil rpm(2)
40	NKI 40/20					40	45	55	20	0.3	0.5	3150	6180	9000
	NKI 40/30				(4)	40	45	55	30	0.3	1	4200	8900	9000
					NKI 40X55X40	40	45	55	40	0.3	1	4200	8900	9000
			NA 4908			40	48	62	22	0.6	1	4150	6780	8500
				NA 6908		40	48	62	40	0.6	0.5	6320	11600	8500
	NKIS 40				40	50	65	22	1	0.5	4590	7180	8000	
42	NKI 42/20					42	47	57	20	0.3	0.5	3230	6390	8500
	NKI 42/30					42	47	57	30	0.3	1	4630	10200	8500
45	NKI 45/25					45	50	62	25	0.6	1.5	4140	8200	8000
	NKI 45/35					45	50	62	35	0.6	2	5700	12400	8000
			NA 4909			45	52	68	22	0.6	1	4170	7110	7500
				NA 6909		45	52	68	40	0.6	0.5	6790	13300	7500
	NKIS 45				45	55	72	22	1	0.5	5160	8050	7500	
50	NKI 50/25					50	55	68	25	0.6	0.5	4200	8840	7500
	NKI 50/35					50	55	68	35	0.6	2	5770	13300	7500
			NA 4910			50	58	72	22	0.6	1	4540	8030	7000
				NA 6910		50	58	72	40	0.6	0.5	7390	15000	7000
		NKIS 50				50	60	80	28	1.1	2	6950	11400	6500
55	NKI 55/25					55	60	72	25	0.6	1.5	4790	10600	6500
	NKI 55/35					55	60	72	35	0.6	2	6590	16000	6500
			NA 4911			55	63	80	25	1	1.5	6010	10200	6500
				NA 6911		55	63	80	45	1	1.5	9840	19200	6500
		NKIS 55				55	65	85	28	1.1	2	7040	12000	6000
60	NKI 60/25					60	68	82	25	0.6	1	5530	12100	6000
	NKI 60/35					60	68	82	35	0.6	1	7650	18400	6000
			NA 4912			60	68	85	25	1	1.5	6750	12300	6000
				NA 6912		60	68	85	45	1	1.5	10100	20900	6000
		NKIS 60				60	70	90	28	1.1	2	6750	12400	5500

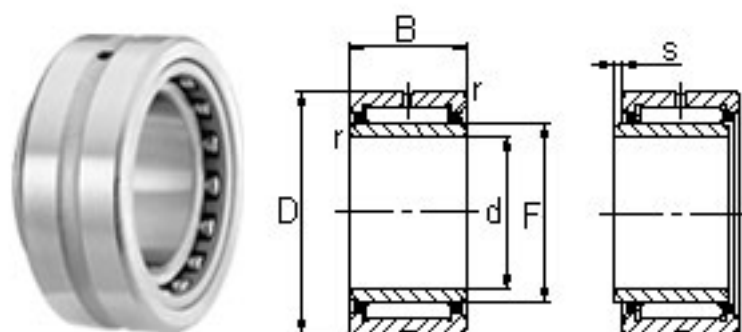
(1) Other than the series shown above, custome-made orders are available according to the series number NKI dr x D x B

(2) With grease lubrication, 60% of the values given in the tables are permissible

(3) NKI 38x68x46= NK 45x68x40+ IR 38x45x46

# Needle Roller Bearings

With Ribs  
-With Inner Ring



Shaft dia, 65-95

NKI

NKI

Shaft dia.	Series					Dimensions mm						Basic load ratings		Limited speed
	NKI	NKIS	NA 49	NA 69	OTHERS (1)	d	F	D	B	r min	S	Dynamic C kgf	Static Co kgf	Oil rpm(2)
65			NA 4913			65	72	90	25	1	1.5	7210	13000	5500
				NA 6913		65	72	90	45	1	1.5	10800	21900	5500
	NKI 65/25					65	73	90	25	1	1	6150	13200	5500
	NKI 65/35					65	73	90	35	1	1	8510	20100	5500
		NKIS 65				65	75	95	28	1.1	2	7710	14200	5500
70	NKI 70/25					70	80	95	25	1	0.8	6530	14400	5000
	NKI 70/35					70	80	95	35	1	0.8	9030	21900	5000
		NKIS 70				70	80	100	28	1.1	2	7880	15300	5000
			NA 4914			70	80	100	30	1	1.5	9660	18400	5000
				NA 6914		70	80	100	54	1	1	1440	30700	5000
75	NKI 75/25					75	85	105	25	1	1	7770	15100	4700
			NA 4915			75	85	105	30	1	1.5	10200	19800	4700
	NKI 75/35					75	85	105	35	1	1	10700	22900	4700
				NA 6915		75	85	105	54	1	1	15200	33000	4700
80	NKI 80/25					80	90	110	25	1	1	8140	16100	4400
			NA 4916			80	90	110	30	1	1.5	10100	20500	4400
	NKI 80/35					80	90	110	35	1	1	9740	20300	4400
				NA 6916		80	90	110	54	1	1	15100	34300	4400
85	NKI 85/26					85	95	115	26	1	1.5	8200	17100	4200
	NKI 85/36					85	95	115	36	1	1.5	11300	26000	4200
			NA 4917			85	100	120	35	1.1	1	9070	18000	4000
				NA 6917		85	100	120	63	1.1	1	18000	43400	4000
90	NKI 90/26					90	100	120	26	1	1.5	8550	18100	4000
	NKI 90/36					90	100	120	36	1	1.5	11800	27600	4000
			NA 4918			90	105	125	35	1.1	1	12600	29000	3800
				NA 6918		90	105	125	63	1.1	1	18100	46100	3800
95	NKI 95/26					95	105	125	26	1	1.5	8890	19200	3800
	NKI 95/36					95	105	125	36	1	1.5	12300	29100	3800
			NA 4919			95	110	130	35	1.1	1	13100	30700	3600
				NA 6919		95	110	130	63	1.1	1	18900	48800	3600

(1) Other than the series shown above, custom-made orders are available according to the series number NKI dr x D x B

(2) With grease lubrication, 60% of the values given in the tables are permissible

(3) NKI 38x68x46= NK 45x68x40+ IR 38x45x46