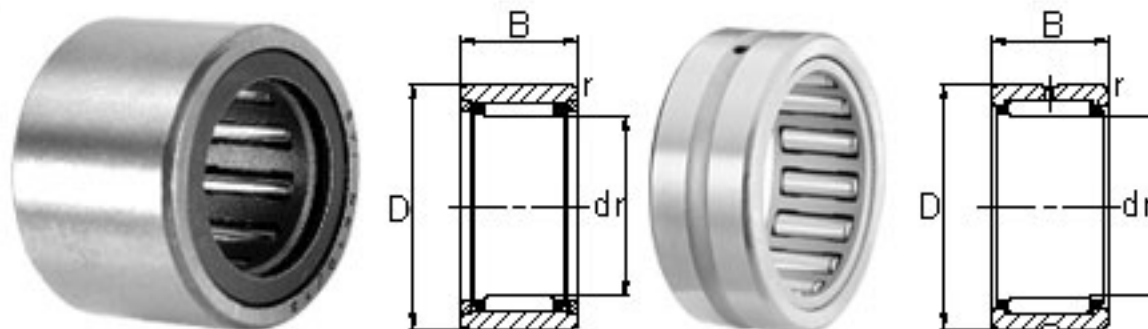


Needle Roller Bearin

With Ribs
-Without Inner Ring

Shaft dia, 10-20



NK

NK ($dr \leq 10\text{mm}$)

NK ($dr \geq 12\text{mm}$)

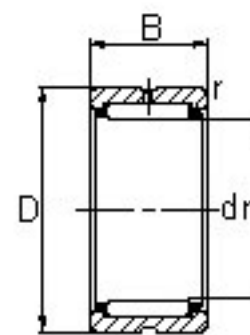
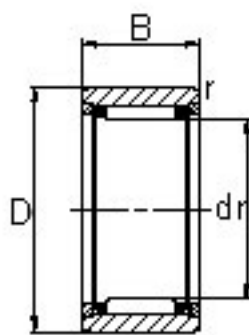
Shaft dia.	Series					Dimensions mm				Basic load ratings		Limited speed
	NK	NKS	RNA 49	RNA 69	OTHERS (1)	dr	D	B	r min	Dynamic C kgf	Static Co kgf	Oil rpm(2)
10	NK 10/12					10	17	12	0.3	390	420	28000
	NK 10/16					10	17	16	0.3	600	730	28000
12	NK 12/12					12	19	12	0.3	640	690	26000
	NK 12/16					12	19	16	0.3	880	1040	26000
14			RNA 4900			14	22	13	0.3	960	1050	24000
	NK 14/16					14	22	16	0.3	1130	1290	24000
	NK 14/20					14	22	20	0.3	1430	1750	24000
15					NK 15X23X12	15	23	12	0.3	910	1010	23000
	NK 15/16					15	23	16	0.3	1190	1410	23000
	NK 15/20					15	23	20	0.3	1500	1910	23000
					NK 15X24X10	15	24	10	0.3	890	880	23000
					NK 15X25X12	15	25	12	0.3	910	1010	23000
16					NK 15X30X9.5	15	30	9.5	0.3	1040	750	23000
					NK 16X23X22	16	23	22	0.3	1830	2520	23000
			RNA 4901			16	24	13	0.3	1000	1160	23000
	NK 16/16					16	24	16	0.3	1250	1540	23000
	NK 16/20					16	24	20	0.3	1580	2080	23000
17				RNA 6901		16	24	22	0.3	1560	2040	23000
	NK 17/16					17	25	16	0.3	1300	1660	22000
	NK 17/20					17	25	20	0.3	1650	2250	22000
18	NK 18/16					18	26	16	0.3	1370	1780	21000
	NK 18/20					18	26	20	0.3	1730	2410	21000
19	NK 19/16					19	27	16	0.3	1420	1910	21000
	NK 19/20					19	27	20	0.3	1790	2580	21000
20			RNA 4902			20	28	13	0.3	1130	1440	20000
	NK 20/16					20	28	16	0.3	1420	1920	20000
					RNA 5902	20	28	18	0.3	1510	2090	20000
	NK 20/20					20	28	20	0.3	1790	2600	20000
				RNA 6902		20	28	23	0.3	1760	2540	20000
		NKS 20				20	32	20	0.6	2030	2460	20000
					NK 20X33X12	20	33	12	0.3	1280	1490	20000

(1) Other than the series shown above, custom-mand orders are available according to the series number NK dr X D x B

(2) With grease lubrication, 60% of the values given in the tables are permissible.

Needle Roller Bearing

With Ribs
-Without Inner Ring



Shaft dia, 21-29

NK NK (dr ≤ 10mm) NK (dr ≥ 12mm)

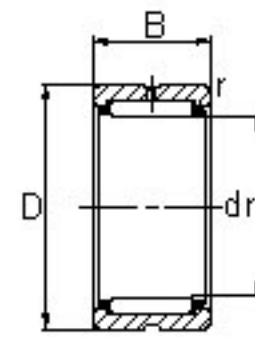
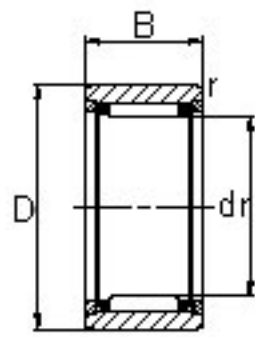
Shaft dia.	Series					Dimensions mm				Basic load ratings		Limited speed
	NK	NKS	RNA 49	RNA 69	OTHERS (1)	dr	D	B	r min	Dynamic C kgf	Static Co kgf	Oil rpm(2)
21	NK 21/16					21	29	16	0.3	1460	2040	19000
	NK 21/20					21	29	20	0.3	1840	2760	19000
22			RNA 4903			22	30	13	0.3	1220	1630	18000
	NK 22/16					22	30	16	0.3	1520	2160	18000
	NK 22/20					22	30	20	0.3	1920	2930	18000
				RNA 6903		22	30	23	0.3	1890	2870	18000
					NK 22X34X25	22	34	25	0.3	3180	4110	18000
		NKS 22				22	35	20	0.6	2510	3020	18000
24	NK 24/16					24	32	16	0.3	1550	2300	17000
	NK 24/20					24	32	20	0.3	1960	3110	17000
					NK 24X36X14	24	36	14	0.3	1940	2220	17000
		NKS 24				24	37	20	0.6	2640	3300	17000
25					NK 25X32X22	25	32	22	0.3	1630	2880	16000
	NK 25/16					25	33	16	0.3	1610	2420	16000
	NK 25/20					25	33	20	0.3	2040	3280	16000
			RNA 4904			25	37	17	0.3	2210	2670	16000
				RNA 6904		25	37	30	0.3	3470	4780	16000
		NKS 25				25	38	20	0.6	2620	3320	16000
26	NK 26/16					26	34	16	0.3	1630	2550	15000
	NK 26/20					26	34	20	0.3	2070	3450	15000
28	NK 28/20					28	37	20	0.3	2140	3630	14000
	NK 28/30					28	37	30	0.3	3060	5760	14000
			RNA 49/22			28	39	17	0.3	2270	3090	14000
				RNA 69/22		28	39	30	0.3	3380	5180	14000
		NKS 28				28	42	20	0.6	2970	3730	14000
					NK 29X38X15	29	38	15	0.3	1700	2800	13000
29	NK 29/20					29	38	20	0.3	2150	3790	14000
	NK 29/30					29	38	30	0.3	3080	6030	14000

(1) Other than the series shown above, custom-mand orders are available according to the series number NK dr X D x B

(2) With grease lubrication, 60% of the values given in the tables are permissible.

Needle Roller Bearin

With Ribs
-Without Inner Ring



Shaft dia, 30-40

NK

NK ($dr \leq 10\text{mm}$)

NK ($dr \geq 12\text{mm}$)

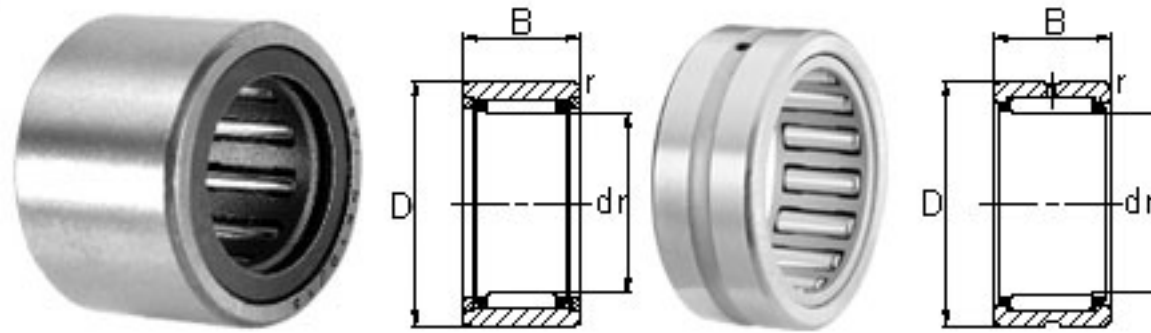
Shaft dia.	Series					Dimensions mm				Basic load ratings		Limited speed
	NK	NKS	RNA 49	RNA 69	OTHERS (1)	dr	D	B	r min	Dynamic C kgf	Static Co kgf	Oil rpm(2)
30					NK 30X38X24	30	38	24	0.3	2330	4200	13000
	NK 30/20					30	40	20	0.3	2480	3930	13000
	NK 30/30					30	40	30	0.3	3550	6250	13000
			RNA 4905			30	42	17	0.3	2510	3310	13000
				RNA 6905		30	42	30	0.3	3740	5550	13000
					NK 30X44X25	30	44	25	0.3	4610	6250	13000
					NK 30X44X30	30	44	30	0.3	5470	7790	13000
	NKS 30				30	45	22	0.6	3520	4390	13000	
32	NK 32/20					32	42	20	0.3	2510	4150	13000
	NK 32/30					32	42	30	0.3	3600	6580	13000
			RNA 49/28			32	45	17	0.3	2610	3530	13000
				RNA 69/28		32	45	30	0.3	3910	5920	13000
		NKS 32				32	47	22	0.6	3680	4750	13000
35	NK 35/20					35	45	20	0.3	2540	4370	11000
	NK 35/30					35	45	30	0.3	3630	6930	11000
			RNA 4906			35	47	17	0.3	2680	3770	11000
				RNA 6906		35	47	30	0.3	4170	6640	11000
		NKS 35				35	50	22	0.6	3830	5120	11000
					NK 35X50X34	35	50	34	0.3	6570	9660	11000
					NK 35X57X30	35	57	30	0.3	7620	9240	11000
37	NK 37/20					37	47	20	0.3	2620	4580	11000
	NK 37/30					37	47	30	0.3	3750	7270	11000
		NKS 37				37	52	22	0.6	4140	5800	11000
38	NK 38/20					38	48	20	0.3	2700	4780	11000
	NK 38/30					38	48	30	0.3	3870	7580	11000
40	NK 40/20					40	50	20	0.3	2700	4980	10000
	NK 40/30					40	50	30	0.3	3870	7920	10000
			RNA 49/32			40	52	20	0.6	3130	4780	10000
				RNA 59/32		40	52	27	0.6	4040	6620	10000
				RNA 69/32		40	52	36	0.6	5370	9550	10000
		NKS 40				40	55	22	0.6	4100	5800	10000

(1) Other than the series shown above, custom-mand orders are available according to the series number NK dr X D x B

(2) With grease lubrication, 60% of the values given in the tables are permissible.

Needle Roller Bearin

With Ribs
-Without Inner Ring



Shaft dia, 42-60

NK

NK ($dr \leq 10\text{mm}$)

NK ($dr \geq 12\text{mm}$)

Shaft dia. mm	Series					Dimensions mm				Basic load ratings		Limited speed
	NK	NKS	RNA 49	RNA 69	OTHERS (1)	dr	D	B	r min	Dynamic C kgf	Static Co kgf	Oil rpm(2)
42	NK 42/20					42	52	20	0.3	2780	5190	9500
	NK 42/30					42	52	30	0.3	3980	8250	9500
			RNA 4907			42	55	20	0.6	3180	5020	9500
				RNA 6907		42	55	36	0.6	5270	9600	9500
43	NK 43/20					43	53	20	0.3	2850	5390	9500
	NK 43/30					43	53	30	0.3	4090	8570	9500
		NKS 43				43	58	22	0.6	4200	6150	9500
45	NK 45/20					45	55	20	0.3	2930	5600	9000
	NK 45/30					45	55	30	0.3	4200	8900	9000
			RNA 49/38			45	58	20	0.6	5800	5480	9000
		NKS 45				45	60	22	0.6	4360	6490	9000
					NK 45X68X40	45	68	40	0.6	9740	13400	9000
47	NK 47/20					47	57	20	0.3	3230	6390	8500
	NK 47/30					47	57	30	0.3	4630	10200	8500
48			RNA 4908			48	62	22	0.6	4150	6780	8500
				RNA 6908		48	62	40	0.6	6320	11600	8500
50	NK 50/25					50	62	25	0.6	4140	8220	8000
	NK 50/35					50	62	35	0.6	5700	12400	8000
		NKS 50				50	65	22	1	4590	7180	8000
52			RNA 4909			52	68	22	0.6	4170	7110	7500
				RNA 6909		52	68	40	0.6	6790	13300	7500
55	NK 55/25					55	68	25	0.6	4200	8840	7500
	NK 55/35					55	68	35	0.6	5770	13300	7500
		NKS 55				55	72	22	1	5160	8050	7500
58			RNA 4910			58	72	22	0.6	4540	8030	7000
				RNA 6910		58	72	40	0.6	7390	15000	7000
60	NK 60/25					60	72	25	0.6	4790	10600	6500
	NK 60/35					60	72	35	0.6	6590	16000	6500
		NKS 60				60	80	28	1.1	6950	11400	6500

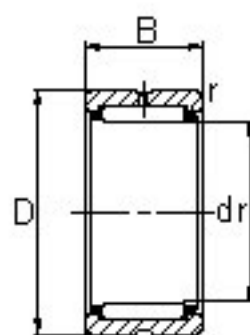
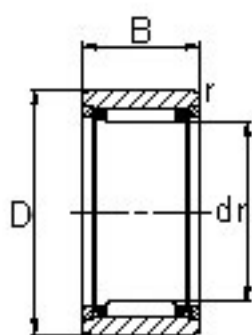
(1) Other than the series shown above, custom-mand orders are available according to the series number NK dr X D x B

(2) With grease lubrication, 60% of the values given in the tables are permissible.

Needle Roller Bearing

With Ribs

-Without Inner Ring



Shaft dia, 63-85

NK

NK ($dr \leq 10\text{mm}$)

NK ($dr \geq 12\text{mm}$)

Shaft dia.	Series					Dimensions mm				Basic load ratings		Limited speed
	NK	NKS	RNA 49	RNA 69	OTHERS (1)	dr	D	B	r min	Dynamic C kgf	Static Co kgf	Oil rpm(2)
63			RNA 4911			63	80	25	1	6010	10200	6500
				RNA 6911		63	80	45	1	9840	19200	6500
65	NK 65/25					65	78	25	0.6	5080	11500	6000
	NK 65/35					65	78	35	0.6	6990	17400	6000
		NKS 65				65	85	28	1.1	7040	12000	6000
68	NK 68/25					68	82	25	0.6	5530	12100	6000
	NK 68/35					68	82	35	0.6	7650	18400	6000
			RNA 4912			68	85	25	1	6750	12300	6000
				RNA 6912		68	85	45	1	10100	20900	6000
70	NK 70/25					70	85	25	0.6	6110	12500	5500
	NK 70/35					70	85	35	0.6	8460	18900	5500
		NKS 70				70	90	28	1.1	7290	13100	5500
72			RNA 4913			72	90	25	1	7210	13000	5500
				RNA 6913		72	90	45	1	10800	21900	5500
73	NK 73/25					73	90	25	1	6150	13200	5500
	NK 73/35					73	90	35	1	8510	20100	5500
75	NK 75/25					75	92	25	1	6270	13600	5500
	NK 75/35					75	92	35	1	8680	20700	5500
		NKS 75				75	95	28	1.1	7710	14200	5500
80	NK 80/25					80	95	25	1	6530	14400	5000
	NK 80/35					80	95	35	1	9030	21900	5000
		NKS 80				80	100	28	1.1	7880	15300	5000
			RNA 4914			80	100	30	1	9660	18400	5000
				RNA 6914		80	100	54	1	14400	30700	5000
85	NK 85/25					85	105	25	1	7770	15100	4700
			RNA 4915			85	105	30	1	10200	19800	4700
	NK 85/35					85	105	35	1	10700	22900	4700
				RNA 6915		85	105	54	1	15200	33000	4700

(1) Other than the series shown above, custom-mand orders are available according to the series number NK dr X D x B

(2) With grease lubrication, 60% of the values given in the tables are permissible.

