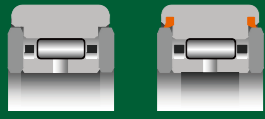
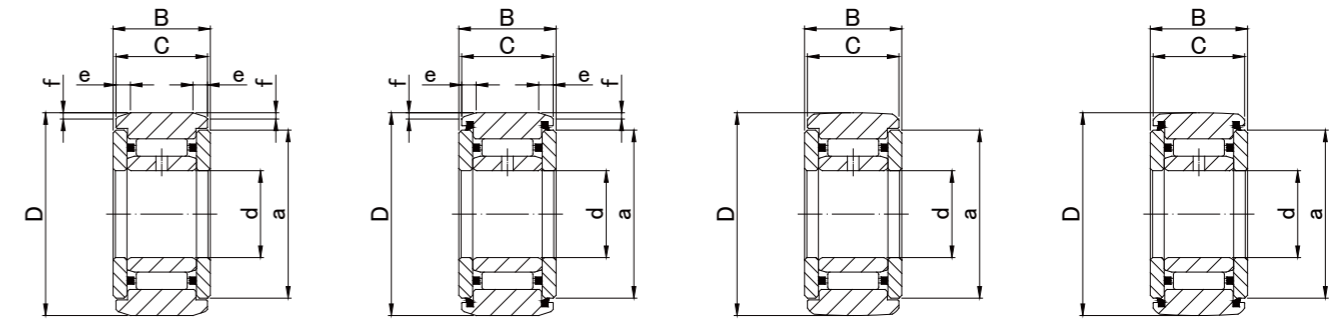


ROLLER FOLLOWERS

SEPARABLE WITH INNER RING WITH SHIELD



NAST..ZZ



NAST..ZZ

NAST..ZZUU

NAST..ZZR

NAST..ZZUUR

NAST..ZZ TYPE

Prepacked Grease

Shaft Diameter (mm)	Designation				Dimensions (mm)									Basic dynamic load rating	Basic static load rating	Track load capacity		Limiting speed *	Mass	
	Cylindrical outer ring		Crowned outer ring (R500)		d	D	B	C	a	e	f	r/s min	Cr N			Cor N	Cylindrical outer ring			Crowned outer ring
	Without seals	With seals	Without seals	With seals													N			N
6	NAST 6ZZ	NAST 6ZZUU	NAST 6ZZR	NAST 6ZZUUR	6 ⁰ _{-0.008}	19	14	13.8	14	2.5	0.8	0.3	4 120	4 550	3 530	1 370	20 000	24.5		
8	NAST 8ZZ	NAST 8ZZUU	NAST 8ZZR	NAST 8ZZUUR	8 ⁰ _{-0.008}	24	14	13.8	17.5	2.5	0.8	0.6	5 680	5 890	4 510	1 860	17 000	39		
10	NAST10ZZ	NAST10ZZUU	NAST10ZZR	NAST10ZZUUR	10 ⁰ _{-0.008}	30	16	15.8	23.5	2.5	0.8	1	9 700	9 670	6 860	2 450	15 000	65		
12	NAST12ZZ	NAST12ZZUU	NAST12ZZR	NAST12ZZUUR	12 ⁰ _{-0.008}	32	16	15.8	25.5	2.5	0.8	1	10 400	10 900	7 350	2 740	13 000	75		
15	NAST15ZZ	NAST15ZZUU	NAST15ZZR	NAST15ZZUUR	15 ⁰ _{-0.008}	35	16	15.8	29	2.5	0.8	1	12 300	14 300	8 040	3 140	10 000	83		
17	NAST17ZZ	NAST17ZZUU	NAST17ZZR	NAST17ZZUUR	17 ⁰ _{-0.010}	40	20	19.8	32.5	3	1	1	17 400	20 900	11 800	3 720	9 500	135		
20	NAST20ZZ	NAST20ZZUU	NAST20ZZR	NAST20ZZUUR	20 ⁰ _{-0.010}	47	20	19.8	38	3	1	1	19 200	24 500	13 800	4 610	8 500	195		
25	NAST25ZZ	NAST25ZZUU	NAST25ZZR	NAST25ZZUUR	25 ⁰ _{-0.010}	52	20	19.8	43	3	1	1	20 700	28 400	15 300	5 290	7 000	225		
30	NAST30ZZ	NAST30ZZUU	NAST30ZZR	NAST30ZZUUR	30 ⁰ _{-0.010}	62	25	24.8	50.5	4	1.2	1	30 300	45 400	22 100	6 660	5 500	400		
35	NAST35ZZ	NAST35ZZUU	NAST35ZZR	NAST35ZZUUR	35 ⁰ _{-0.012}	72	25	24.8	53.5	4	1.2	1	32 200	50 600	25 700	8 130	5 000	550		
40	NAST40ZZ	NAST40ZZUU	NAST40ZZR	NAST40ZZUUR	40 ⁰ _{-0.012}	80	26	25.8	61.5	4	1.2	1.5	35 700	61 100	30 300	9 310	4 000	710		
45	NAST45ZZ	NAST45ZZUU	NAST45ZZR	NAST45ZZUUR	45 ⁰ _{-0.012}	85	26	25.8	66.5	4	1.2	1.5	37 100	66 400	31 100	10 100	4 000	760		
50	NAST50ZZ	NAST50ZZUU	NAST50ZZR	NAST50ZZUUR	50 ⁰ _{-0.012}	90	26	25.8	76	4	1.2	1.5	38 700	71 800	34 000	11 000	3 500	830		

* Without seals, suitable for grease lubrication. In case of oil lubrication, up to 130% of this value shall be permissible, and 70% of this value shall apply for types with seals.

OUTER RINGS TOLERANCE (Outside diameter) (µm)

TYPE	Cylindrical outer ring	Crowned outer ring
NAST6,NAST8,NAST10	0/-9	0/-50
NAST12,NAST15,NAST17,NAST20	0/-11	0/-50
NAST25,NAST30,NAST35,NAST40	0/-13	0/-50
NAST45,NAST50	0/-15	0/-50