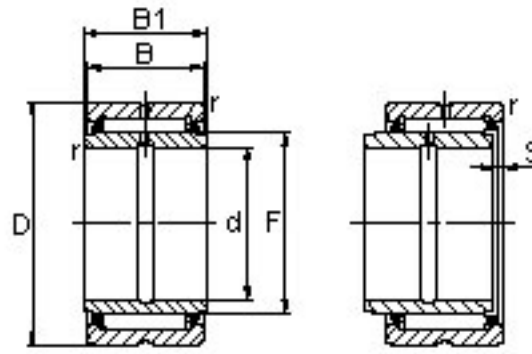


Needle Roller Bearings

With Ribs
-With Inner Ring



Shaft dia. (inch) 3/8-2

MR+MI

MR+MI

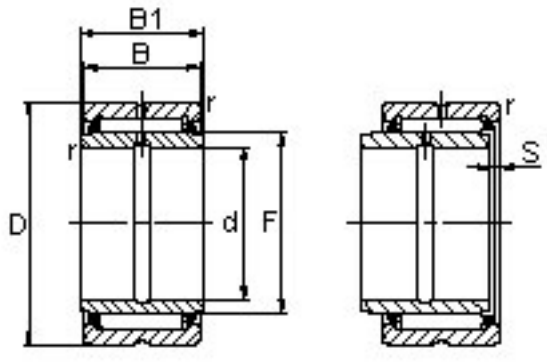
Shaft dia.	Series	Dimensions										Basic load ratings		Limited speed
		dr.F		D		B		B1		S (1)	r	Dynamic C	Static Co	Oil
(inch)	MR dr D B +MI d F B1	inch	mm	inch	mm	inch	mm	inch	mm	mm	mm	kgf	kgf	rpm(2)
mm	1/16 inch	inch	mm	inch	mm	inch	mm	inch	mm	mm	mm	kgf	kgf	rpm(2)
(3/8)	MR 101812+MI 061012	5/8	15.875	1 1/8	28.575	3/4	19.05	0.76	19.30	2	0.6	1820	1850	25000
9.525	MR 101816+MI 061016	5/8	15.875	1 1/8	28.575	1	25.40	1.01	25.65	3	0.6	2290	2490	25000
(1/2)	MR 122012+MI 081212	3/4	19.050	1 1/4	31.750	3/4	19.05	0.76	19.30	4	1	2250	2550	21000
12.700	MR 122016+MI 081216	3/4	19.050	1 1/4	31.750	1	25.40	1.01	25.65	2	1	2840	3440	21000
(5/8)	MR 142212+MI 101412	7/8	22.225	1 3/8	34.925	3/4	19.05	0.76	19.30	1	1	2380	2830	18000
15.875	MR 142216+MI 101416	7/8	22.225	1 3/8	34.925	1	25.40	1.01	25.65	2	1	3000	3820	18000
(3/4)	MR 162412+MI 121612	1	25.400	1 1/2	38.100	3/4	19.05	0.76	19.30	1	1	2620	3330	16000
19.050	MR 162416+MI 121616	1	25.400	1 1/2	38.100	1	25.40	1.01	25.65	1.5	1	3300	4490	16000
(7/8)	MR 182616+MI 141816	1 1/8	28.575	1 5/8	41.275	1	25.40	1.01	25.65	1.5	1	3600	5170	14000
22.225	MR 182620+MI 141820	1 1/8	28.575	1 5/8	41.275	1 1/4	31.75	1.26	32.00	0	1	4440	6780	14000
(1)	MR 202816+MI 162016	1 1/4	31.750	1 3/4	44.450	1	25.40	1.01	25.65	1.5	1	3710	5540	13000
25.400	MR 202820+MI 162020	1 1/4	31.750	1 3/4	44.450	1 1/4	31.75	1.26	32.00	2	1	4580	7260	13000
(1 1/8)	MR 203016+MI 182216	1 3/8	34.925	1 7/8	47.625	1	25.40	1.01	25.65	3	1	3960	6220	11000
28.575	MR 223020+MI 182220	1 3/8	34.925	1 7/8	47.625	1 1/4	31.75	1.26	32.00	2	1	4890	8150	11000
(1 1/4)	MR 243316+MI 202416	1 1/2	38.100	2 1/16	52.388	1	25.40	1.01	25.65	0.8	1.5	4490	6970	11000
31.750	MR 243320+MI 202420	1 1/2	38.100	2 1/16	52.388	1 1/4	31.75	1.26	32.00	1	1.5	5550	9140	11000
(1 5/16)	MR 263516+MI 212616	1 5/8	41.275	2 3/16	55.563	1	25.40	1.01	25.65	0.8	1.5	4580	7380	10000
33.338	MR 263520+MI 212620	1 5/8	41.275	2 3/16	55.563	1 1/4	31.75	1.26	32.00	1	1.5	5660	9680	10000
(1 3/8)	MR 283716+MI 222816	1 3/4	44.450	2 5/16	58.738	1	25.40	1.01	25.65	0.8	1.5	4750	7790	10000
34.925	MR 283720+MI 222820	1 3/4	44.450	2 5/16	58.738	1 1/4	31.75	1.26	32.00	1	1.5	5860	10200	10000
(1 9/16)	MR 303920+MI 253020	1 7/8	47.625	2 7/16	61.912	1 1/4	31.75	1.26	32.00	1	1.5	5940	10700	8500
39.688														
(1 5/8)	MR 324116+MI 263216	2	50.800	2 9/16	65.088	1	25.40	1.01	25.65	0.8	1.5	5120	8960	8000
41.275	MR 324120+MI 263220	2	50.800	2 9/16	65.088	1 1/4	31.75	1.26	32.00	1	1.5	6330	11700	8000
(1 3/4)	MR 364824+MI 283624	2 1/4	57.150	3	76.200	1 1/2	38.10	1.51	38.35	2.5	1.5	9250	16400	7000
44.500	MR 364828+MI 283628	2 1/4	57.150	3	76.200	1 3/4	44.45	1.76	44.70	3	1.5	10900	20400	7000
(2)	MR 405224+MI 324024	2 1/2	63.500	3 1/4	82.550	1 1/2	38.10	1.51	38.35	2.5	1.5	9660	18000	6500
50.800	MR 405228+MI 324028	2 1/2	63.500	3 1/4	82.550	1 3/4	44.45	1.76	44.70	3	2	11400	22300	6500

(1) Permissible axial displacement of the inner ring is in the relation to the outer ring.

(2) With grease lubrication, 60% of the values given in the tables are permissible.

Needle Roller Bearings

With Ribs
-With Inner Ring



Shaft dia. (inch) 2 1/4-3 3/8

MR+MI

MR+MI

Shaft dia.	Series	Dimensions										Basic load ratings		Limited speed
		dr.F		D		B		B1		S (1)	r	Dynamic C	Static Co	
(inch) mm	MR dr D B +MI d F B1 1/16 inch	inch	mm	inch	mm	inch	mm	inch	mm	mm	mm	kgf	kgf	rpm(2)
(2 1/4) 57.150	MR 445624+MI 364424	2 3/4	69.850	3 1/2	88.900	1 1/2	38.10	1.51	38.35	2.5	2.2	9980	19600	6000
	MR 445628+MI 364428	2 3/4	69.850	3 1/2	88.900	1 3/4	44.45	1.76	44.70	3	2	11800	24300	6000
(2 1/2) 63.500	MR 486024+MI 404824	3	76.200	3 3/4	95.250	1 1/2	38.10	1.51	38.35	2.5	2	10500	21200	5500
	MR 486028+MI 404828	3	76.200	3 3/4	95.250	2	44.45	1.76	44.70	3	2	12400	26300	5500
(2 5/8) 66.675	MR 526828+MI 425228	3 1/4	82.550	4 1/4	107.950	1 3/4	44.45	1.76	44.70	2	2	16000	30900	5000
	MR 526832+MI 425232	3 1/4	82.550	4 1/4	107.950	2	50.80	2.01	51.05	2	2	18000	36000	5000
(3) 76.200	MR 567228+MI 485628	3 1/2	88.900	4 1/2	114.300	1 3/4	44.45	1.76	44.70	2	2	16900	33500	4500
	MR 567232+MI 485632	3 1/2	88.900	4 1/2	114.300	2	50.80	2.01	51.05	2	2	19100	39000	4500
(3 1/8) 79.375	MR 607632+MI 506032	3 3/4	92.250	5	120.650	2	50.80	2.01	51.05	2.5	2.5	19600	42000	4000
(3 3/8) 85.725	MR 648032+MI 546432	4	101.600	5	127.000	2	50.80	2.01	51.05	2.5	2.5	20500	45100	4000

(1) Permissible axial displacement of the inner ring is in the relation to the outer ring.
 (2) With grease lubrication, 60% of the values given in the tables are permissible.
 (3) 1kgf=9.807N=2.205 lbf