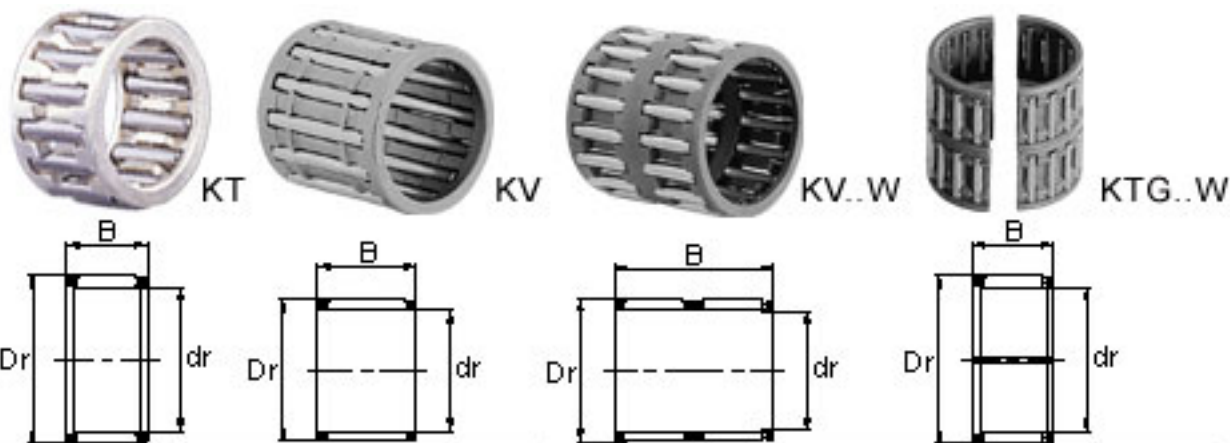


# Needle Roller and Cage Assemblies For Industrial Purpose

Shaft dia, 6-14



KT  
KT..W  
KV  
KV..W  
KTG  
KTG..W  
KVG  
KVG..W

Suitable diameter	Series	Basic load ratings		Limited speed
		Dynamic C kgf	Static Co kgf	Oil rpm(2)
mm	K dr x Dr x B			
6	KV 6 X 9 X 7	190	150	37000
7	KV 7 X 10 X 8	280	240	36000
8	KV 8 X 11 X 8	300	280	32000
	KV 8 X 11 X 10	340	330	32000
	KV 8 X 11 X 12	420	430	32000
	KV 8 X 11 X 13	490	530	32000
	KV 8 X 12 X 8	380	320	32000
	KV 8 X 12 X 10	480	430	32000
9	KV 8 X 12 X 12	560	530	32000
	KV 9 X 12 X 13	520	590	31000
	KV 9 X 13 X 10	470	430	31000
10	KV 9 X 13 X 12.5	570	550	31000
	KV 10 X 13 X 10	390	420	29000
	KV 10 X 13 X 13	520	600	29000
	KV 10 X 13 X 16	450	500	29000
	KV 10 X 14 X 10	470	440	29000
	KV 10 X 14 X 10	470	440	29000
	KV 10 X 14 X 12.5	670	700	29000
	KV 10 X 14 X 14	670	700	29000
	KV 10 X 14 X 15	670	700	29000
	KV 10 X 14 X 15	670	700	29000
11	KV 11 X 14 X 13	580	720	28000
	KV 11 X 15 X 12.5	620	650	28000
12	KV 12 X 15 X 10	540	630	27000
	KV 12 X 15 X 12.5	640	780	27000
	KV 12 X 15 X 14.5	620	800	27000
	KV 12 X 15 X 15	620	800	27000
	KV 12 X 15 X 16.5	670	800	27000

Suitable diameter	Series	Basic load ratings		Limited speed
		Dynamic C kgf	Static Co kgf	Oil rpm(2)
mm	K dr x Dr x B			
12	KV 12 X 15 X 17.2	670	880	27000
	KV 12 X 15 X 20	430	1010	27000
	KV 12 X 16 X 12	560	580	27000
	KV 12 X 16 X 13	620	650	27000
	KV 12 X 16 X 15	710	790	27000
	KV 12 X 16 X 16	820	950	27000
	KV 12 X 16 X 20	970	1180	27000
	KV 12 X 16 X 24 W	660	1440	27000
	KV 12 X 17 X 10	720	700	26000
	KV 12 X 17 X 12.5	790	790	26000
	KV 12 X 17 X 13	780	780	26000
	KV 12 X 17 X 14.5	920	960	26000
	KT 12 X 18 X 12	1010	990	26000
	13	KV 13 X 16 X 14	650	840
KV 13 X 17 X 17.5		930	1150	25000
14	KV 14 X 17 X 10	550	730	25000
	KV 14 X 17 X 15	600	810	25000
	KV 14 X 18 X 8	500	520	25000
	KV 14 X 18 X 10	670	770	25000
	KT 14 X 18 X 10	560	610	25000
	KV 14 X 18 X 13	700	800	25000
	KV 14 X 18 X 14.5	810	970	25000
	KV 14 X 18 X 15	810	970	25000
	KV 14 X 18 X 16	930	1160	25000
	KV 14 X 18 X 16.5	930	1160	25000
14	KV 14 X 18 X 17	990	1250	37000
	KV 14 X 18 X 17.1	990	1250	25000
	KV 14 X 18 X 17.5	870	1070	25000

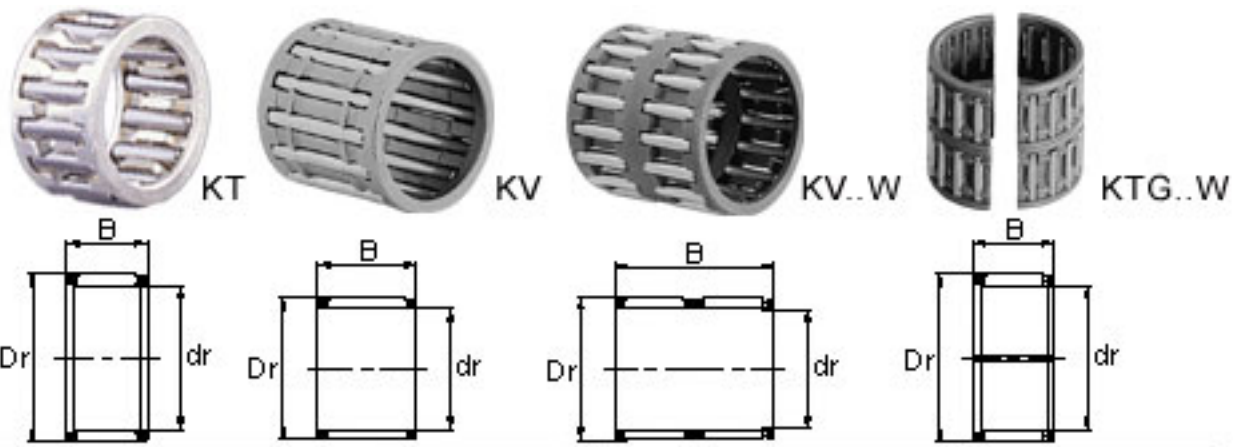
(1) Other than the series shown above, custom-made orders are available according to the series number K drxDrxB

(2) With grease lubrication, 60% of the values given in the tables are permissible.



# Needle Roller and Cage Assemblies For Industrial Purpose

Shaft dia, 14-17



KT  
KT..W  
KV  
KV..W  
KTG  
KTG..W  
KVG  
KVG..W

Suitable diameter	Series	Basic load ratings		Limited speed
		Dynamic C kgf	Static Co kgf	Oil rpm(2)
mm	K dr x Dr x B			
14	KV 14 X 18 X 19	870	1070	25000
	KV 14 X 18 X 20	990	1250	25000
	KV 14 X 18 X 22	1100	1440	25000
	KV 14 X 18 X 24 W	1210	1630	25000
	KT 14 X 19 X 10	710	710	25000
	KT 14 X 19 X 12	850	890	25000
	KV 14 X 19 X 17.1	1130	1290	25000
	KV 14 X 19 X 20	1340	1600	25000
	KT 14 X 20 X 10	940	920	24000
	KT 14.1 X 20.1 X 12	1030	1050	24000
15	KV 15 X 18 X 22	550	1570	24000
	KV 15 X 19 X 8	550	610	24000
	KV 15 X 19 X 13	780	960	24000
	KV 15 X 19 X 17	920	1170	24000
	KV 15 X 19 X 17.5 W	1090	1580	24000
	KV 15 X 19 X 19	970	1260	24000
	KV 15 X 19 X 19.5	1090	1450	24000
	KV 15 X 19 X 20	1150	1580	24000
	KV 15 X 19 X 22	700	1660	24000
	KT 15 X 20 X 10	760	790	24000
	KV 15 X 20 X 18	1270	1540	24000
	KT 15 X 21 X 10	840	800	24000
	KT 15 X 21 X 21	1710	2010	24000
16	KV 16 X 20 X 10	590	670	24000
	KV 16 X 20 X 12	730	880	24000
	KV 16 X 20 X 13	780	970	24000
	KV 16 X 20 X 17	970	1280	24000
	KV 16 X 20 X 17.5	970	1280	24000

Suitable diameter	Series	Basic load ratings		Limited speed
		Dynamic C kgf	Static Co kgf	Oil rpm(2)
mm	K dr x Dr x B			
16	KV 16 X 20 X 19	1090	1480	24000
	KV 16 X 20 X 19.5	1090	1480	24000
	KV 16 X 20 X 20	1030	1380	24000
	KV 16 X 20 X 22	1270	1800	24000
	KV 16 X 20 X 22.5	1030	1370	24000
	KV 16 X 20 X 23	1090	1470	24000
	KV 16 X 20 X 24	1270	1800	24000
	KT 16 X 21 X 10	860	950	24000
	KV 16 X 21 X 18	1340	1670	24000
	KV 16 X 21 X 19	1190	1430	24000
	KV 16 X 21 X 19.5	1350	1670	24000
	KV 16 X 21 X 20	1410	1780	24000
	KV 16 X 21 X 22	1550	2020	24000
	KV 16 X 21 X 22.5	1480	1900	24000
	KV 16 X 21 X 23	1620	2130	24000
	KV 16 X 21 X 26	1820	2480	24000
	KT 16 X 22 X 10	830	810	23000
	KT 16 X 22 X 12	1070	1150	23000
	KT 16 X 22 X 13	1180	1270	23000
	KT 16 X 22 X 13.5	1100	1160	23000
KT 16 X 22 X 16	1280	1410	23000	
KT 16 X 22 X 17	1370	1530	23000	
KT 16 X 22 X 20	1620	1910	23000	
KT 16 X 22 X 31	1500	2220	23000	
17	KV 17 X 20 X 10	550	760	23000
	KV 17 X 21 X 10	760	960	23000
	KV 17 X 21 X 13	900	1200	23000
	KT 17 X 21 X 17	1130	1600	23000

(1) Other than the series shown above, custom-made orders are available according to the series number K drxDxB  
 (2) With grease lubrication, 60% of the values given in the tables are permissible.

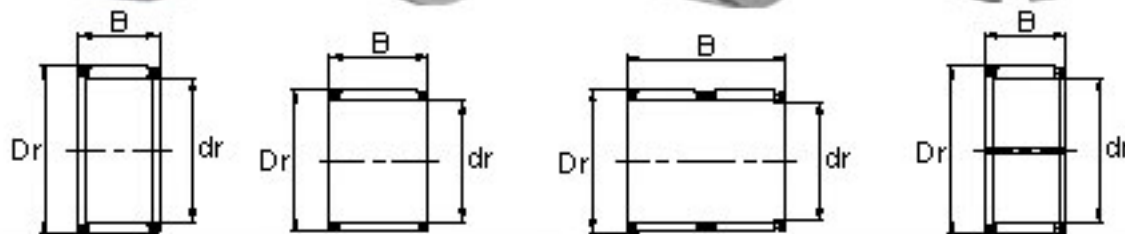


# Needle Roller and Cage Assemblies For Industrial Purpose



Shaft dia, 17-20

KT  
KT..W  
KV  
KV..W  
KTG  
KTG..W  
KVG  
KVG..W



Suitable diameter	Series	Basic load ratings		Limited speed	
		Dynamic C kgf	Static Co kgf	Oil rpm(2)	
mm	K dr x Dr x B				
17	KV 17 X 22 X 20	1400	1800	23000	
	KV 17 X 22 X 22	1470	1910	23000	
	KT 17 X 23 X 14	1190	1300	22000	
	KT 17 X 23 X 15	1190	1300	22000	
	KT 17 X 25 X 15	1640	1640	20000	
18	KV 18 X 22 X 8	630	760	22000	
	KV 18 X 22 X 10	650	790	22000	
	KV 18 X 22 X 13	800	1030	22000	
	KV 18 X 22 X 13.5	940	1280	22000	
	KV 18 X 22 X 16	1070	1490	22000	
	KV 18 X 22 X 20	1130	1610	22000	
	KV 18 X 22 X 22	1270	1850	22000	
	KV 18 X 22 X 24 W	760	1940	22000	
	KV 18 X 22 X 24	1320	1960	22000	
	KV 18 X 23 X 21	1470	1930	22000	
	KV 18 X 23 X 22	1540	2050	22000	
	KV 18 X 23 X 24	1720	1390	22000	
	KT 18 X 24 X 11.5	1160	1280	22000	
	KT 18 X 24 X 12	1160	1280	22000	
	KT 18 X 24 X 13	1240	1400	22000	
	KT 18 X 24 X 13.5	1350	1550	22000	
	KT 18 X 24 X 14	1350	1550	22000	
	KT 18 X 24 X 17	1450	1700	22000	
	KT 18 X 24 X 20	2030	2630	22000	
	KT 18 X 25 X 14	1410	1790	22000	
	KT 18 X 28 X 16	2070	1990	22000	
	19	KV 19 X 23 X 13	890	1210	22000
		KT 19 X 24 X 14	1200	1530	22000

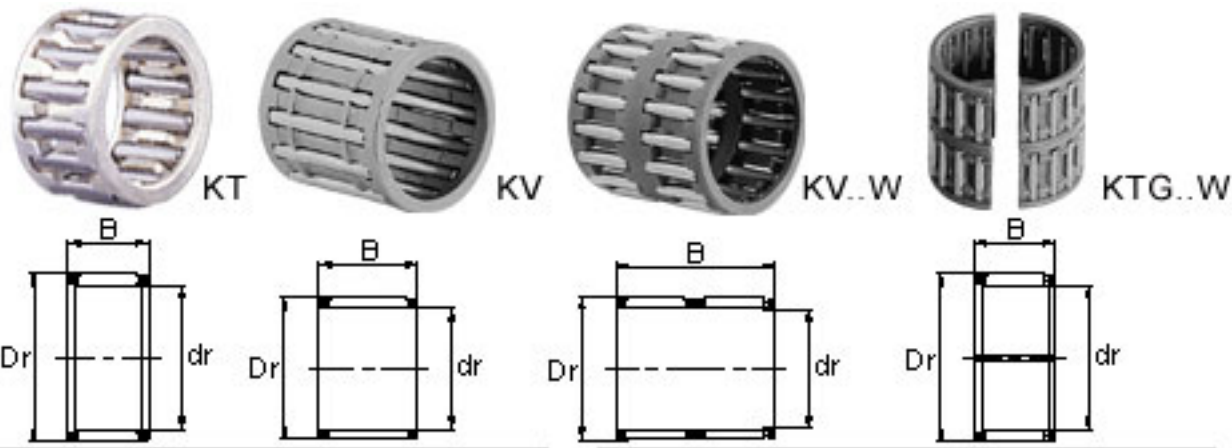
Suitable diameter	Series	Basic load ratings		Limited speed	
		Dynamic C kgf	Static Co kgf	Oil rpm(2)	
mm	K dr x Dr x B				
19	KV 19 X 24 X 17	1460	1980	22000	
	KV 19 X 24 X 20	1550	2120	22000	
	KV 19 X 24 X 25	1760	2490	22000	
	KT 19 X 25 X 14	1340	1560	22000	
	KT 19 X 25 X 15	1260	1440	22000	
	KT 19 X 25 X 16	1350	1580	22000	
	KT 19 X 25 X 18	1540	1860	22000	
	KT 19 X 25 X 32	3010	4450	22000	
	KT 19 X 28 X 14	1730	1680	20000	
	KT 19 X 28 X 20.5	2280	2400	20000	
	KT 19 X 31 X 24	3210	3190	18000	
	20	KV 20 X 24 X 10	700	900	21000
		KV 20 X 24 X 17	1150	1710	21000
		KV 20 X 24 X 23	1440	2260	21000
		KV 20 X 24 X 24	1440	2260	21000
KV 20 X 25 X 26.6W		930	2580	21000	
KVG 20 X 25 X 14.5		730	790	21000	
KV 20 X 25 X 16		1290	1690	21000	
KV 20 X 25 X 22		1630	2290	21000	
KV 20 X 25 X 24		1800	2420	21000	
KV 20 X 25 X 25		2050	3080	21000	
KV 20 X 26 X 29		2190	3340	21000	
KT 20 X 26 X 11.5		1150	1290	21000	
KT 20 X 26 X 12		1150	1290	21000	
KT 20 X 26 X 13	1300	1520	21000		
KT 20 X 26 X 14	1410	1690	21000		
KT 20 X 26 X 16	1620	2020	21000		
KT 20 X 26 X 17	1530	1870	21000		

(1) Other than the series shown above, custom-made orders are available according to the series number K drxDrxB

(2) With grease lubrication, 60% of the values given in the tables are permissible.



**Needle Roller and Cage Assemblies**  
For Industrial Purpose



Shaft dia, 20-24

KT  
KT..W  
KV  
KV..W  
KTG  
KTG..W  
KVG  
KVG..W

Suitable diameter	Series	Basic load ratings		Limited speed
		Dynamic C kgf	Static Co kgf	Oil rpm(2)
mm	K dr x Dr x B			
20	KT 20 X 26 X 19.5	1920	2510	21000
	KT 20 X 26 X 20	2020	2670	21000
	KT 20 X 26 X 24	2300	3160	21000
	KT 20 X 26.5 X 17	1530	1840	21000
	KT 20 X 27 X 15	1500	1650	20000
	KT 20 X 27.5 X 20	2110	2600	20000
	KT 20 X 28 X 14	1610	1670	20000
	KT 20 X 28 X 16	1870	2030	20000
	KT 20 X 28 X 20	2220	2520	20000
	KT 20 X 28 X 25	2660	3180	20000
21	KV 21 X 25 X 24	1540	2550	21000
	KT 21 X 26 X 14	1240	1650	21000
	KT 21 X 27 X 16	1610	2030	21000
	KT 21 X 27 X 17	1610	2030	21000
	KT 21 X 35 X 27.1	4430	4520	18000
22	KV 22 X 26 X 11	1030	21540	20000
	KV 22 X 26 X 13	1100	1680	20000
	KV 22 X 26 X 17	1280	2020	20000
	KV 22 X 26 X 26	1960	3510	20000
	KT 22 X 27 X 20	1690	2460	20000
	KV 22 X 27 X 23	2030	3140	20000
	KV 22 X 27 X 24	2120	3310	20000
	KV 22 X 27 X 25	2030	3140	20000
	KT 22 X 28 X 13	1430	1760	20000
	KT 22 X 28 X 14	1400	1710	20000
	KT 22 X 28 X 15	1400	1710	20000
	KT 22 X 28 X 16	1690	2190	20000
	KT 22 X 28 X 23	2210	3080	20000

Suitable diameter	Series	Basic load ratings		Limited speed
		Dynamic C kgf	Static Co kgf	Oil rpm(2)
mm	K dr x Dr x B			
22	KT 22 X 29 X 14	1670	1950	19000
	KT 22 X 29 X 15.5	1790	2140	19000
	KV 22 X 29 X 16	1810	2170	19000
	KT 22 X 29 X 17	2030	2520	19000
	KV 22 X 29 X 18	1920	2340	19000
	KV 22 X 30 X 15	1870	2060	19000
	KV 22 X 30 X 16	1870	2060	19000
	KT 22 X 32 X 21	3160	3530	18000
	KT 22 X 35 X 32	4470	4740	18000
	KT 22 X 35 X 45	5750	6540	18000
23	KT 23 X 27 X 13	1070	1610	20000
	KVG 23 X 27 X 15	1070	1620	20000
	KT 23 X 28 X 14	1330	1880	20000
	KT 23 X 29 X 14	1600	2090	20000
	KT 23 X 29 X 15	1600	2090	20000
	KT 23 X 30 X 14	1670	1970	19000
24	KT 23 X 33 X 20	2830	3100	17000
	KV 24 X 28 X 10	940	1430	19000
	KT 24 X 28 X 13	940	1410	19000
	KT 24 X 28 X 16	1170	1870	19000
	KT 24 X 29 X 25	2170	3530	18000
	KT 24 X 30 X 14	1460	1850	18000
	KT 24 X 30 X 15	1570	2030	18000
	KT 24 X 30 X 16	1670	2210	18000
	KT 24 X 30 X 17	1760	2360	18000
	KT 24 X 30 X 20	1980	2750	18000
	KT 24 X 31 X 17	2120	2740	18000
	KT 24 X 31 X 18	2470	3330	18000

(1) Other than the series shown above, custom-made orders are available according to the series number K drxDrxB  
(2) With grease lubrication, 60% of the values given in the tables are permissible.



# Needle Roller and Cage Assemblies For Industrial Purpose



KT



KV



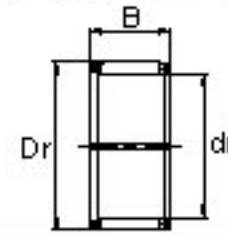
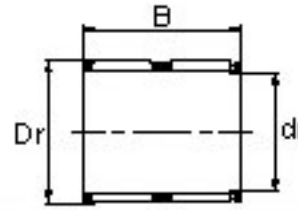
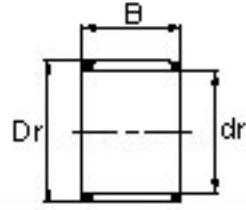
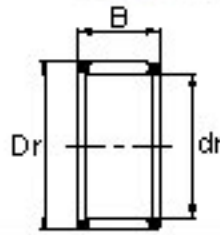
KV..W



KTG..W

Shaft dia, 24-28

KT KTG  
KT..W KTG..W  
KV KVG  
KV..W KVG..W



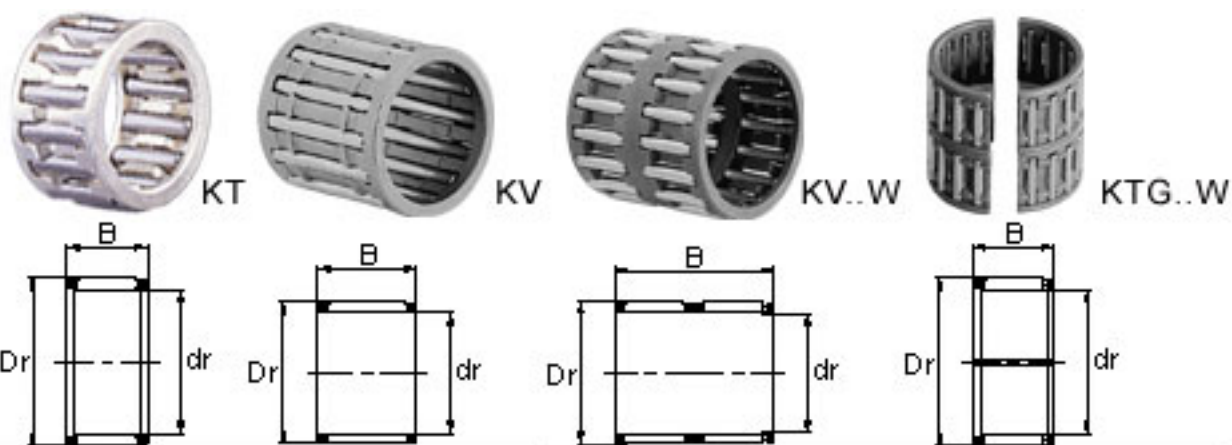
Suitable diameter	Series	Basic load ratings		Limited speed
		Dynamic C kgf	Static Co kgf	Oil rpm(2)
mm	K dr x Dr x B			
24	KT 24 X 31 X 20	2250	2940	18000
	KT 24 X 32 X 20	2500	3080	17000
25	KV 25 X 29 X 10	790	1130	18000
	KV 25 X 29 X 12.8	1080	1700	18000
	KV 25 X 29 X 17	1520	2650	18000
	KT 25 X 30 X 14	1440	2100	18000
	KV 25 X 30 X 17	1470	2130	18000
	KV 25 X 30 X 19.5	1960	3120	18000
	KV 25 X 30 X 0	1960	3120	18000
	KV 25 X 30 X 25	2350	3940	18000
	KV 25 X 30 X 60 W	2040	6560	18000
	KT 25 X 31 X 17	1650	2220	18000
	KT 25 X 31 X 18.5	2010	2880	18000
	KT 25 X 31 X 20	2050	2940	18000
	KT 25 X 31 X 24	2980	4260	17000
	KT 25 X 32 X 16	1900	2370	17000
	KT 25 X 32 X 20	2600	3590	17000
	KT 25 X 32 X 24	2840	3990	17000
	KT 25 X 33 X 18	2220	2680	17000
	KT 25 X 33 X 24	2970	3880	17000
KT 25 X 33 X 30	3550	4890	17000	
KT 25 X 33 X 32	3770	5290	17000	
KT 25 X 34 X 18	2700	3180	16000	
KT 25 X 35 X 24.5	3380	3970	16000	
KT 25 X 39 X 20	3580	3510	16000	
26	KV 26 X 30 X 12.8	1190	1940	18000
	KVG 26 X 30 X 13	1190	1940	18000
	KT 26 X 31 X 14	1410	2110	17000

Suitable diameter	Series	Basic load ratings		Limited speed	
		Dynamic C kgf	Static Co kgf	Oil rpm(2)	
mm	K dr x Dr x B				
26	KV 26 X 31 X 15	1520	2310	17000	
	KT 26 X 31 X 16	1520	2310	17000	
	KV 26 X 31 X 24 W	1260	3660	17000	
	KV 26 X 31 X 26.5	2580	4570	17000	
	KT 26 X 33 X 14	1810	2280	17000	
	KT 26 X 33 X 18	2200	2920	17000	
	KTG 26 X 33 X 34	1850	2270	17000	
	KT 26 X 33 X 33.5 W	3160	4770	17000	
	KT 26 X 34 X 20	2760	3570	16000	
	KT 26 X 35 X 22	3110	3870	16000	
	27	KT 27 X 35 X 45 W	2980	8010	16000
		KT 27 X 35 X 45.5 W	2980	8010	16000
KT 27 X 36 X 18		2680	3220	16000	
KT 27 X 36 X 18		2680	3220	16000	
KT 27 X 36 X 21		2990	3710	16000	
28		KV 28 X 32 X 10	970	1570	16000
	KV 28 X 32 X 17	1520	2790	16000	
	KV 28 X 32 X 29 W	1130	3800	16000	
	KV 28 X 33 X 12.5	1400	2110	16000	
	KV 28 X 33 X 13	1400	2110	16000	
	KT 28 X 33 X 14	1520	2330	16000	
	28	KV 28 X 33 X 17	1620	2530	16000
		KV 28 X 33 X 21	2610	4730	16000
		KV 28 X 33 X 27	2680	2830	16000
		KV 28 X 33 X 34 W	1620	2070	16000
		KT 28 X 34 X 17	2220	3400	16000
		KT 28 X 34 X 34 W	1780	2090	16000
KT 28 X 35 X 16	2170	2920	16000		

(1) Other than the series shown above, custom-made orders are available according to the series number K drxDrxB  
 (2) With grease lubrication, 60% of the values given in the tables are permissible.



# Needle Roller and Cage Assemblies For Industrial Purpose



Shaft dia, 28-35

KT KT.G  
KT..W KT.G..W  
KV KVG  
KV..W KVG..W

Suitable diameter	Series	Basic load ratings		Limited speed
		Dynamic C kgf	Static Co kgf	Oil rpm(2)
mm	K dr x Dr x B			
28	KT 28 X 35 X 18	2440	3400	16000
	KT 28 X 35 X 20	2480	3530	16000
	KV 28 X 35 X 36 W	2200	5940	16000
	KTG 28 X 35 X 37.3	4180	6770	16000
	KT 28 X 36 X 14	2010	2430	15000
	KT 28 X 36 X 16	2310	2900	15000
	KT 28 X 36 X 20	2730	3610	15000
	KT 28 X 36 X 46 W	2980	8050	15000
	KT 28 X 38 X 17	2520	2800	14000
	KT 28 X 38 X 25	3970	5030	14000
	KT 28 X 40 X 25	4120	4710	14000
	KV 28 X 44 X 24	4770	4830	12000
29	KV 29 X 34 X 17	1580	2540	16000
	KT 29 X 37 X 16	2420	3110	15000
	KT 29 X 39 X 21	3330	4060	14000
30	KVG 30 X 34 X 34 W	1390	4970	15000
	KV 30 X 35 X 13	1270	1930	15000
	KV 30 X 35 X 17	1640	2680	15000
	KV 30 X 35 X 20	2150	3800	15000
	KV 30 X 35 X 27	2430	4420	15000
	KT 30 X 36 X 16	1960	2910	15000
	KT 30 X 37 X 14	1950	2610	15000
	KT 30 X 37 X 16	2230	3120	15000
	KT 30 X 37 X 16.5	2230	3120	15000
	KT 30 X 37 X 20	2780	4130	15000
	KT 30 X 37 X 30	3790	6160	15000
	KT 30 X 38 X 16	2510	3310	15000
	KT 30 X 38 X 18	2820	3850	15000

Suitable diameter	Series	Basic load ratings		Limited speed	
		Dynamic C kgf	Static Co kgf	Oil rpm(2)	
mm	K dr x Dr x B				
30	KTG 30 X 39 X 21	1770	1880	15000	
	KT 30 X 40 X 30	5050	7010	15000	
	KT 30 X 42 X 15	3070	3300	14000	
	KT 30 X 42 X 22.5	4030	4660	14000	
	KT 30 X 43 X 55 W	5200	12300	14000	
	KT 30 X 44 X 26	5060	5690	13000	
	KT 30 X 45 X 30	5640	6280	13000	
	KT 30 X 48 X 25	5400	5380	13000	
	31	KT 31 X 38 X 14	2030	2760	14000
		KV 32 X 36 X 12.5	1130	2010	14000
KV 32 X 36 X 15		1410	2670	14000	
32	KV 32 X 37 X 17	1680	2770	14000	
	KV 32 X 37 X 24.7	2250	4020	14000	
	KV 32 X 37 X 27 W	2430	4440	14000	
	KV 32 X 37 X 29.5	1380	4290	14000	
	KT 32 X 38 X 26	3140	5510	14000	
	KT 32 X 40 X 18	2820	3880	14000	
	KT 32 X 40 X 20	2820	3880	14000	
	KT 32 X 40 X 22	2940	4150	14000	
	KT 32 X 42 X 25	4200	5620	14000	
	KTG 32 X 42 X 26	3690	4730	14000	
	KT 32 X 45 X 25	4780	5620	13000	
	KT 32 X 46 X 32	6180	7460	13000	
33	KT 33 X 41 X 20	3060	4410	14000	
	KT 34 X 42 X 38	5200	8760	14000	
34	KT 34 X 44 X 40	6680	10400	14000	
	KV 34 X 46 X 57	4840	11500	13000	
35	KT 35 X 39 X 23	1960	4100	13000	

(1) Other than the series shown above, custom-made orders are available according to the series number K drxDrxB  
 (2) With grease lubrication, 60% of the values given in the tables are permissible.



**Needle Roller and Cage Assemblies**  
For Industrial Purpose



Shaft dia, 35-40

KT  
KT..W  
KV  
KV..W  
KTG  
KTG..W  
KVG  
KVG..W

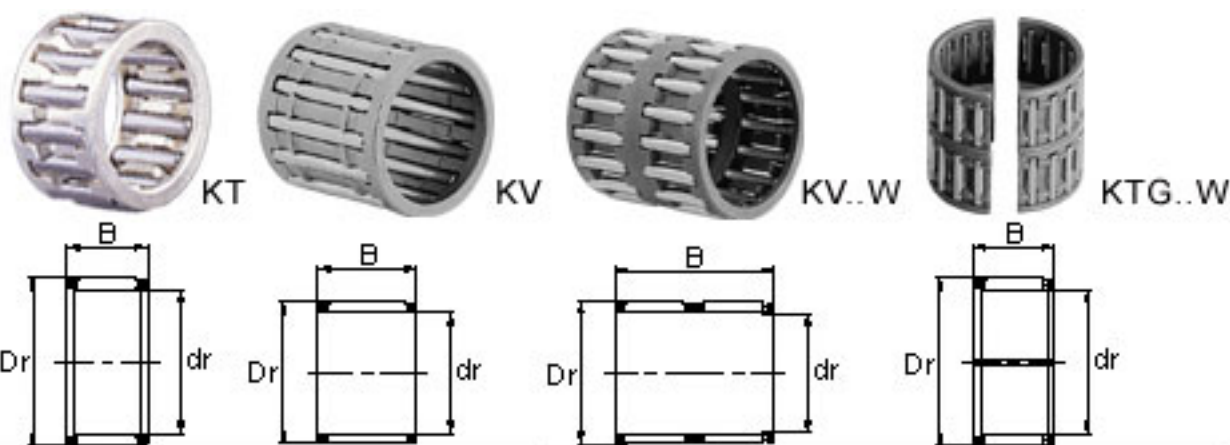
Suitable diameter	Series	Basic load ratings		Limited speed
		Dynamic C kgf	Static Co kgf	Oil rpm(2)
mm	K dr x Dr x B			
35	KV 35 X 39 X 34	1500	5850	13000
	KV 35 X 40 X 19	1940	3450	13000
	KV 35 X 40 X 29	2890	5870	13000
	KV 35 X 40 X 30	2900	5860	13000
	KV 35 X 40 X 32	2990	6100	13000
	KV 35 X 40 X 32.5	3090	6360	13000
	KV 35 X 40 X 33	3090	6360	13000
	KV 35 X 40 X 39 W	2040	7490	13000
	KT 35 X 41 X 22	2790	4940	13000
	KT 35 X 41 X 32	3980	7790	13000
	KT 35 X 41 X 35	4200	8360	13000
	KT 35 X 41 X 40	4750	9790	13000
	KT 35 X 42 X 16	2230	3230	13000
	KT 35 X 42 X 14	2380	3510	13000
	KT 35 X 42 X 20	2820	4370	13000
	KT 35 X 42 X 30	4040	6940	13000
	KT 35 X 43 X 31.5	4380	7050	13000
	KT 35 X 44 X 35.5	5580	8920	13000
	KT 35 X 45 X 25	4370	6070	13000
	KTG 35 X 45 X 26	4540	6380	13000
KT 35 X 49 X 25	5540	6640	12000	
KVG 35 X 51 X 25 P	6040	6840	12000	
KT 35 X 51 X 25	5660	6270	12000	
36	KV 36 X 41 X 30.5	2990	6120	13000
	KT 36 X 44 X 25	3960	3260	13000
	KT 36 X 46 X 15.2	2880	3560	13000
	KTG 36 X 46 X 21	3950	4830	13000
	KT 36 X 48 X 22	4240	5190	13000

Suitable diameter	Series	Basic load ratings		Limited speed
		Dynamic C kgf	Static Co kgf	Oil rpm(2)
mm	K dr x Dr x B			
36	KT 36 X 48 X 25	5140	6680	13000
	KT 36 X 48 X 30	5950	8070	13000
	KT 36 X 48 X 35.5	7110	10100	13000
	KT 36 X 51 X 28	6640	8080	12000
37	KV 37 X 42 X 17	1870	3360	12000
	KV 37 X 42 X 30	2990	3120	12000
	KV 37 X 42 X 31.5 W	1700	5940	12000
	KVG 37 X 3 X 13	1660	2540	12000
38	KV 38 X 41 X 9	560	1070	12000
	KV 38 X 43 X 17	1980	3630	12000
	KV 38 X 43 X 27	3140	6580	12000
	KV 38 X 43 X 28	3250	6870	12000
	KT 38 X 44 X 33	4220	8480	12000
	KT 38 X 44 X 36	4070	8050	12000
	KT 38 X 44 X 43 W	2700	9500	12000
	KT 38 X 46 X 20	3080	4650	12000
	KT 38 X 46 X 32	4950	8550	12000
	KT 38 X 51 X 25	5320	6730	12000
39	KV 39 X 44 X 26 W	1590	5490	12000
	KT 39 X 44 X 44 W	2510	9850	12000
	KV 39 X 46 X 44.2 W	3260	11000	12000
	KT 39 X 55 X 21	5310	8930	11000
	KT 39 X 55 X 25	6410	7560	11000
	40	KV 40 X 44 X 35	1910	8640
KV 40 X 46 X 37		3190	7070	12000
KV 40 X 46 X 30 W		3300	7380	12000
KV 40 X 46 X 37		2030	7870	12000
KT 40 X 48 X 25		4040	6620	12000

Other than the series shown above, custom-made orders are available according to the series number K drxDrxB  
With grease lubrication, 60% of the values given in the tables are permissible.



# Needle Roller and Cage Assemblies For Industrial Purpose



Shaft dia, 40-52

KT  
KT..W  
KV  
KV..W  
KTG  
KTG..W  
KVG  
KVG..W

Suitable diameter	Series	Basic load ratings		Limited speed
		Dynamic C kgf	Static Co kgf	Oil rpm(2)
mm	K dr x Dr x B			
40	KT 40 X 48 X 28	4520	7650	12000
	KT 40 X 48 X 30	4680	7990	12000
	KT 40 X 48 X 34	5290	9360	12000
	KT 40 X 50 X 20	3740	5140	12000
	KT 40 X 50 X 30	5460	8370	12000
	KT 40 X 54 X 31.5	6890	9100	11000
	KT 40 X 55 X 30	7220	9250	11000
	KT 40 X 56 X 21 W	5080	5640	11000
	KT 40 X 56 X 25	6400	7590	11000
	KT 40 X 57 X 31.5	8630	10800	11000
	KT 40 X 60 X 32	8800	1000	11000
	KT 40 X 60 X 40	10600	12800	11000
KT 40 X 62 X 40	11800	13800	11000	
41	KV 41 X 46 X 23.5	2550	5310	12000
42	KV 42 X 47 X 28	3190	7090	12000
	KV 42 X 47 X 42 W	2250	7870	12000
43	KV 42 X 56 X 14.5	3090	3330	11000
	KV 43 X 48 X 17	2010	3910	11000
	KV 43 X 48 X 27	3190	7100	11000
	KV 43 X 48 X 30	3300	7410	11000
	KV 43 X 48 X 33	3520	8050	11000
	KT 43 X 49 X 31	4220	8920	11000
	KT 43 X 63 X 30	9400	11100	9000
44	KT 43 X 63 X 54	14800	19800	9000
	KT 44 X 50 X 39	4730	10300	10000
45	KT 45 X 50 X 10	1470	2630	10000
	KV 45 X 50 X 21	2500	5210	10000
	KV 45 X 50 X 27	3430	7830	10000

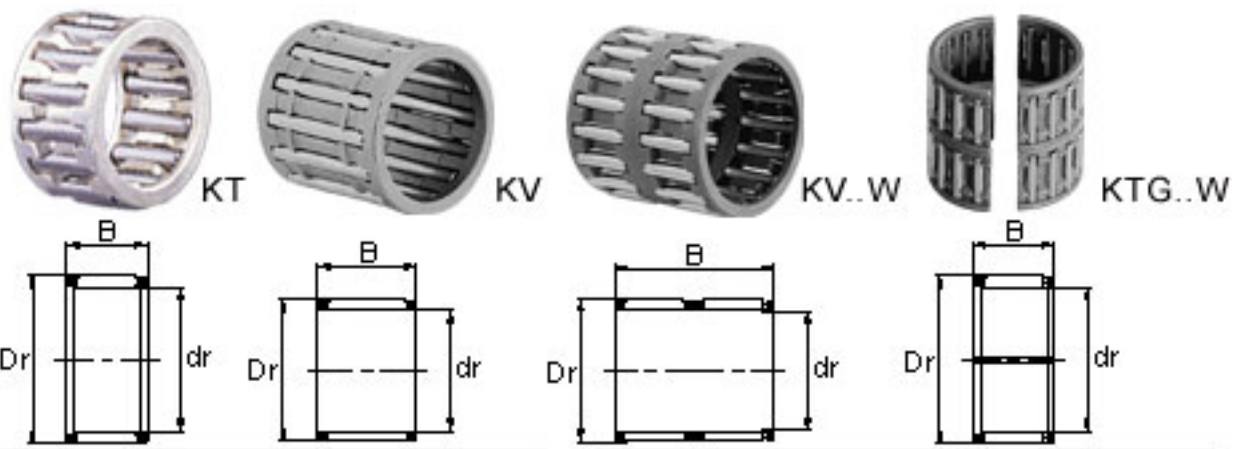
Suitable diameter	Series	Basic load ratings		Limited speed
		Dynamic C kgf	Static Co kgf	Oil rpm(2)
mm	K dr x Dr x B			
45	KV 45 X 50 X 33	3780	8880	10000
	KV 45 X 50 X 45 W	2370	9710	10000
	KT 45 X 52 X 21	3370	6020	10000
	KT 45 X 53 X 21	3660	6060	10000
	KT 45 X 53 X 25	4380	7640	10000
	KT 45 X 60 X 40	9480	13500	9500
46	KT 46 X 52 X 37	4980	11100	10000
	KT 46 X 54 X 32	5740	10800	10000
47	KT 47 X 53 X 29	4200	8920	10000
	KT 47 X 53 X 32	4600	10000	10000
	KT 47 X 53 X 33	4730	10400	10000
	KT 47 X 53 X 36	4860	10800	10000
	KT 47 X 67 X 54.5	15000	20600	9000
48	KV 48 X 53 X 23.5	2740	6280	10000
	KV 48 X 53 X 37.5 W	2260	9760	10000
50	KT 48 X 54 X 19	2730	5400	10000
	KV 50 X 55 X 20	2520	5660	9500
	KT 50 X 56 X 23	3490	7440	9500
	KT 50 X 58 X 20	3790	6610	9000
	KT 50 X 58 X 25	4270	7700	9000
	KT 50 X 60 X 21	4590	7180	9000
51	KT 50 X 70 X 43	12900	17200	8500
	KV 51 X 56 X 30	3580	8840	9000
	KV 51 X 56 X 33 W	2290	10000	9000
	KV 51 X 56 X 51 W	3250	15700	9000
	KT 51 X 61 X 33.5	6830	12300	8500
52	KT 51 X 65 X 44.5	11400	18600	8000
	KT 52 X 58 X 31	4490	10300	9000

(1) Other than the series shown above, custom-made orders are available according to the series number K drxDrxB

(2) With grease lubrication, 60% of the values given in the tables are permissible.



## Needle Roller and Cage Assemblies For Industrial Purpose



KT  
KT..W  
KV  
KV..W

KTG  
KTG..W  
KVG  
KVG..W

Shaft dia, 54-68

Suitable diameter	Series	Basic load ratings		Limited speed
		Dynamic C kgf	Static Co kgf	Oil rpm(2)
mm	K dr x Dr x B			
54	KT 54 X 60 X 36	5160	12300	8500
	KT 54 X 61 X 35	6170	13800	8500
55	KV 55 X 59 X 13 P	1080	2260	8500
	KV 55 X 60 X 17	2380	5280	8500
	KV 55 X 60 X 20	2820	6570	8500
	KV 55 X 60 X 21	2820	6570	8500
	KV 55 X 60 X 29.5	4110	10700	8500
	KV 55 X 60 X 35 W	2340	10300	8500
	KV 55 X 60 X 37 W	2470	11100	8500
	KV 55 X 61 X 17	2400	4620	8500
	KT 55 X 63 X 32	6080	12800	8500
	56	KV 56 X 61 X 34 W	2200	9520
57	KV 57 X 64 X 31	5050	11200	8500
58	KT 58 X 63 X 17	2760	6440	8500
	KT 58 X 63 X 20	2820	6590	8500
	KV 58 X 63 X 30	4050	10500	8500
	KT 58 X 62 X 19	2720	5790	8500
	KT 58 X 65 X 26	4750	10400	8500
	KT 58 X 65 X 35.5 W	3290	13000	8500
	KT 58 X 66 X 24	4530	8750	8500
59	KT 59 X 71 X 31.8	8230	14100	8000
60	KV 60 X 65 X 19	2870	6780	8000
	KV 60 X 65 X 19.5	2870	6780	8000
	KV 60 X 65 X 20	2870	6780	8000
	KV 60 X 65 X 30	4340	11500	8000
	KV 60 X 65 X 41 W	2920	13800	8000
	KT 60 X 66 X 23	3330	7530	8000
	KT 60 X 66 X 33 W	2500	10400	8000

Suitable diameter	Series	Basic load ratings		Limited speed
		Dynamic C kgf	Static Co kgf	Oil rpm(2)
mm	K dr x Dr x B			
60	KT 60 X 66 X 40 W	3170	14100	8000
	KT 60 X 67 X 23	4120	8700	8000
61	KT 60 X 76 X 55	14900	25300	7000
	KV 61 X 66 X 20	2660	6630	8000
62	KV 61 X 66 X 22	3190	8390	8000
	KT 61 X 68 X 22	4030	8480	8000
63	KV 62 X 68 X 42 W	3430	15700	8000
	KV 62 X 68 X 42.5 W	3430	15700	8000
64	KT 62 X 70 X 24	4820	9570	7500
	KT 63 X 68 X 30	4080	11500	8000
65	KT 63 X 69 X 30	4910	12500	8000
	KT 64 X 71 X 37	6690	16300	7500
66	KT 64 X 71 X 48 W	4690	20700	7500
	KT 64 X 71 X 56.8 W	5320	24300	7500
67	KT 64 X 72 X 19.2	3830	7490	7000
	KT 64 X 72 X 39.5 W	3830	15000	7000
68	KV 65 X 70 X 20	2790	7110	7000
	KV 65 X 70 X 30	4290	12300	7000
69	KV 65 X 73 X 30	5740	12600	7000
	KT 65 X 73 X 43 W	4140	16500	7000
70	KT 67 X 73 X 30	4910	12500	7000
	KV 68 X 74 X 20	3620	8490	6500
71	KT 68 X 75 X 23.3	4110	9310	6500
	KT 68 X 75 X 27.5	1830	11500	6500
72	KT 68 X 75 X 50 W	4480	20800	6500
	KV 68 X 76 X 27	5480	11900	6500
73	KT 68 X 76 X 35	7180	16900	6500
	KV 68 X 76 X 26.2	7020	16400	6500

(1) Other than the series shown above, custom-made orders are available according to the series number K drxDxB  
 (2) With grease lubrication, 60% of the values given in the tables are permissible.